



50 E

Ride on pick&carry crane
with 5.000 kg capacity

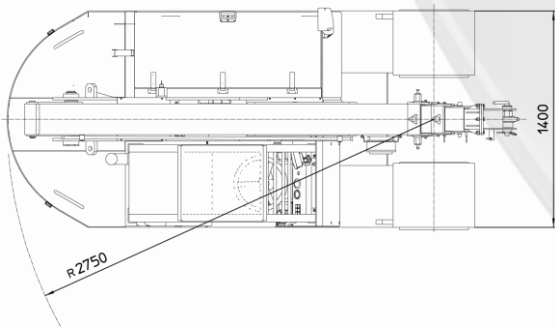
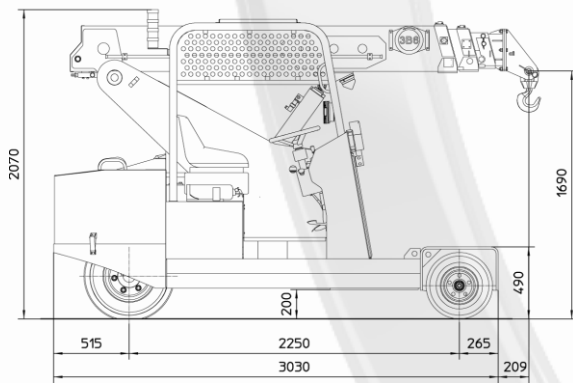
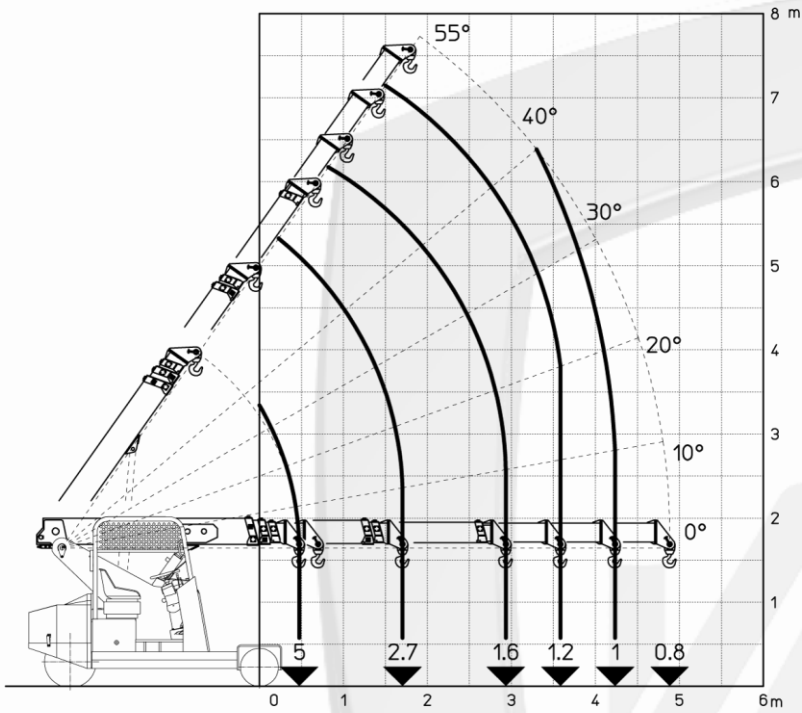


FEATURES

MAX CAPACITY 5.000kg
 MAX BOOM EXTENSION 4,88 m
 MAX BOOM ANGLE 55°
 MIN BOOM ANGLE 0°
 WEIGHT 5.500 kg
 CONFORMITY 2006/42 CE; 2014/30 CE;
 2014/35 CE; 2000/14 CE; EN 13000

CHASSIS	5 wheels structure made in high quality steel, with internal counterweights
WHEELS	Front: n°4 superelastic wheels 16x7 – R8” Rear: n°1 superelastic wheel 23x10 – R12”
TRACTION	Rear traction with electric motor DC 7 kW
HYDRAULIC SYSTEM	Powered by electric motor DC – 5 kW maximum pressure 210 bar
BRAKES	N°1 brake shoe on rear wheel
STEERING	Rear steering by hydraulic motor installed on fifth wheel
BOOM	Manufactured in high quality steel, composed by four elements: main boom and three telescopic hydraulic sections
POWER SUPPLY	Electric
BATTERY	48V - 575 Ah
BOOM'S CONTROL	By proportional distributor with levers inside the cabin
DRIVE CONTROL	By pedals and steering wheel inside the cabin
SAFETY SYSTEM	Electronic load moment indicator (LMI) with display for load, boom's position and boom's angle control
OPTIONALS	Hydraulic winch, manual Jib, hydraulic Jib, radio remote control, non marking wheels, chain hoist, battery watering system, on board battery charger, carry deck, closed cabin

All specifications are subject to change. Consult Valla for latest specifications



Rear steering with 180° rotation for maximum manoeuvrability



Operator's cabin with ergonomic controls and digital display for the electronic load moment indicator



Wide range of optional accessories for many applications



VALLA MANITEX S.R.L.
Via Leonardo da Vinci 12
29016 - Cortemaggiore (PC) - ITALY

PHONE: +39 0523 256411
EMAIL: info@valla.com
SITE: www.valla.com

Cod.891.013 rev.00 ed. 03/2017