



# 90 E

*Ride on pick&carry crane  
with 9.000 kg capacity*

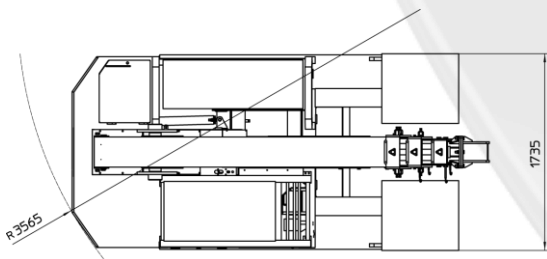
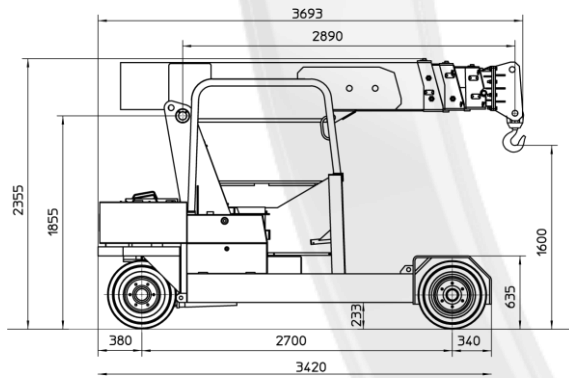
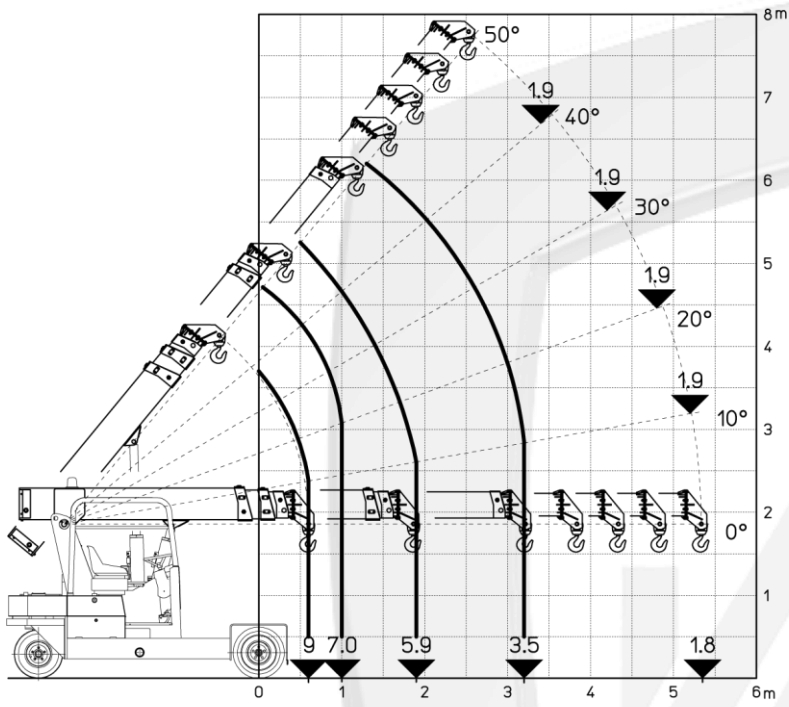


## FEATURES

MAX CAPACITY 9.000kg  
 MAX BOOM EXTENSION 5,35m  
 MAX BOOM ANGLE 50°  
 MIN BOOM ANGLE - 4 °  
 WEIGHT 9.000kg  
 CONFORMITY 2006/42 CE; 2014/30 CE;  
 2014/35 CE; 2000/14 CE; EN 13000

<b>CHASSIS</b>	6 wheels structure made in high quality steel, with internal counterweights
<b>WHEELS</b>	Front: n°4 superelastic wheels 23x9 – R10” Rear: n°2 superelastic wheels 23x10 – R12”
<b>TRACTION</b>	Rear traction with differential axle with reduction gear, powered by electric motor AC – 10 kW
<b>HYDRAULIC SYSTEM</b>	Powered by electric motor DC – 5 kW maximum pressure 190 bar
<b>BRAKES</b>	N°2 brake shoes on front axle N°2 brake shoes on rear axle
<b>STEERING</b>	Rear steering with hydraulic cylinder between chassis and traction group
<b>BOOM</b>	Manufactured in high quality steel, composed by four elements: main boom and three telescopic hydraulic sections
<b>POWER SUPPLY</b>	Electric
<b>BATTERY</b>	48V - 700 Ah
<b>BOOM'S CONTROL</b>	By electro-hydraulic joystick inside the cabin
<b>DRIVE CONTROL</b>	By pedals and steering wheel inside the cabin
<b>SAFETY SYSTEM</b>	Electronic load moment indicator (LMI) with display for load, boom's position and boom's angle control
<b>OPTIONALS</b>	Hydraulic winch, manual Jib, hydraulic Jib, radio remote control, self levelling hydraulic forks, non marking wheels, chain hoist, battery watering system, on board battery charger, carry deck, closed cabin.

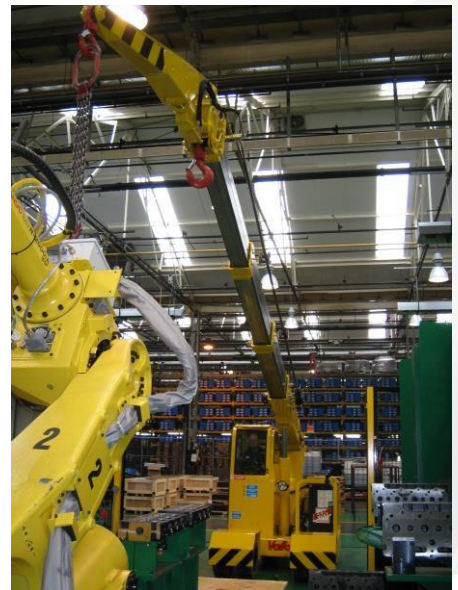
All specifications are subject to change. Consult Valla for latest specifications



Optional chain hoist



Optional hydraulic Jib



Wide range of optional accessories for many applications

**Valla**  
MANITEX

VALLA MANITEX S.R.L.  
Via Leonardo da Vinci 12  
29016 - Cortemaggiore (PC) - ITALY

PHONE: +39 0523 256411  
EMAIL: info@valla.com  
SITE: www.valla.com